

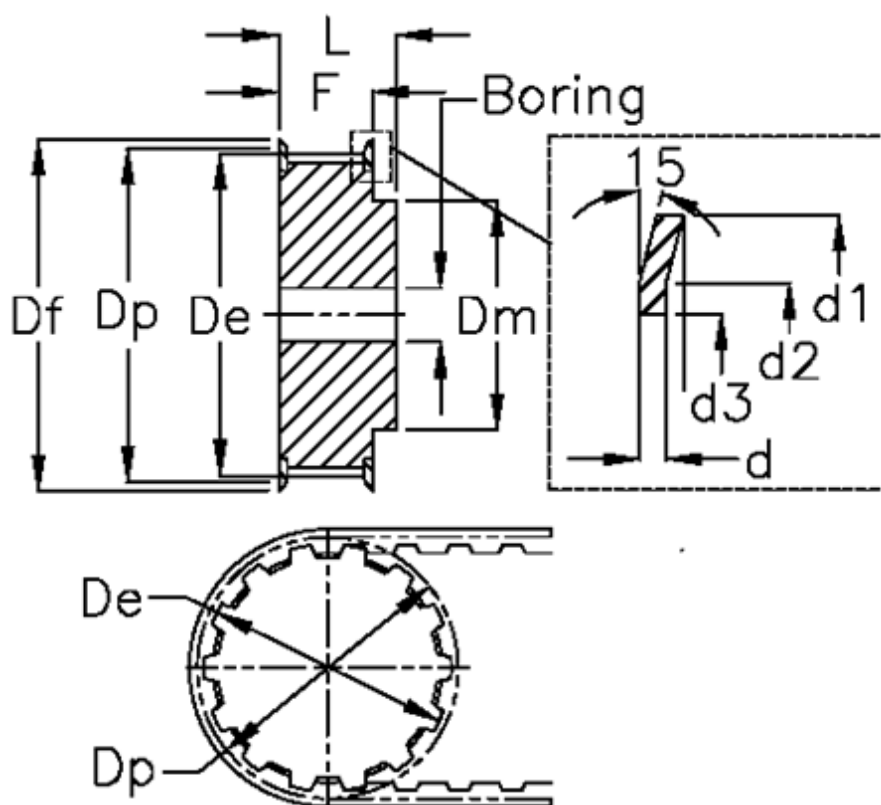
# Data Sheet



Article number: 604144044030

Description: Timing belt pulley with hub  
HTD 44 8M 30

## Measures



Bore = 15	Dp	= 112.05
d = 1.5	F	= 38
d1 = 120	Flange type	= F38
d2 = 112.5	L	= 48
d3 = 99.5	Tooth number	= 44
De = 110.67	Type	= 8M
Df = 120	Weight	= 2.8
Dm = 75	Width	= 30